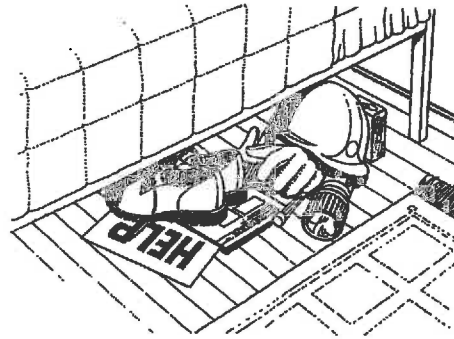


9 Steps – Immediately Following a Disaster

AT HOME...

Step 1. Take care of your loved ones.

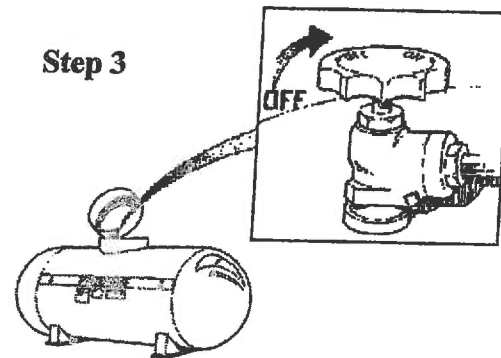
Step 2. Take a moment to size-up the situation. A bicycle helmet or hardhat protects from falling debris. Sturdy shoes protect from broken glass. Leather gloves protect from sharp objects.



Step 2: Keep these under your bed.

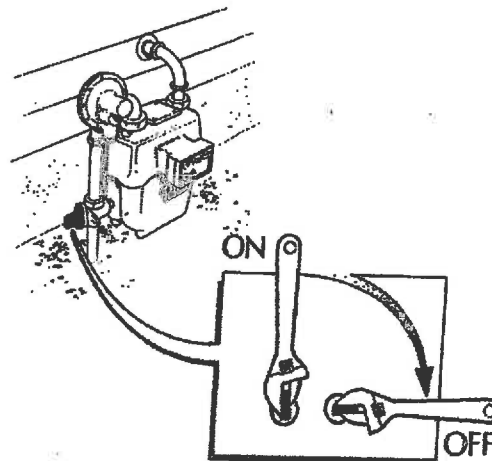
Step 3. Check the natural gas or propane at your home. Shut off if necessary. This is one of the best ways to prevent fire.

Step 4. Shut off water at the house main, if necessary, to trap water in your home and to keep pollutants out of possible drinking water, like that in your water heater.



Step 5. Place the Help or OK sign on your front door or window. Posting the sign helps your neighbors locate those who need help first.

Step 6. Get your emergency supplies (5 – 7 day kit) and turn on your radio for emergency communications. Don't leave your household until everyone understands what is happening and has the supplies they need.

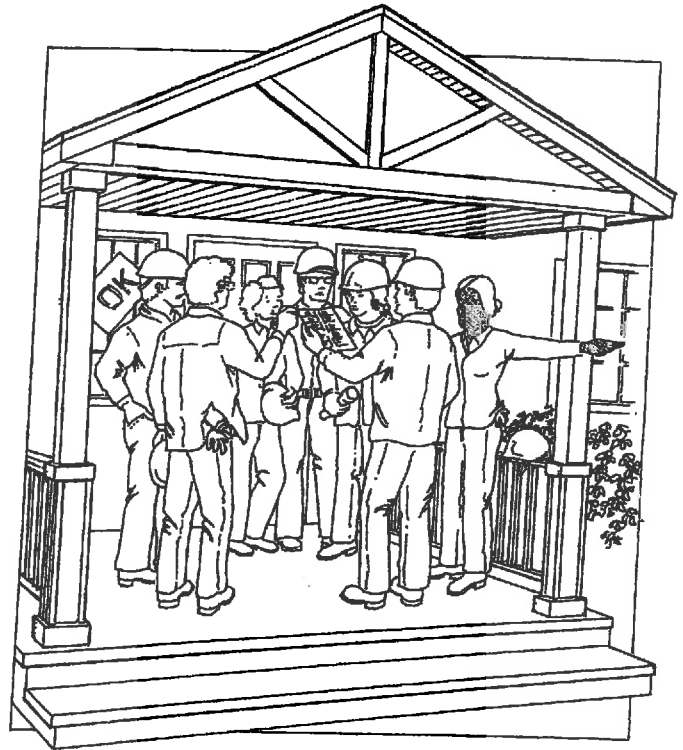


Turn the valve 1/4 turn to shut off the gas. NEVER turn it back on once it has been turned off.

With Neighbors...

Step 7. After Steps 1-6 are completed, go to the Neighborhood Gathering Site.

Write your Neighborhood Gathering Site here:



Step 8. Form Teams at the Gathering Neighborhood Site:

- **Team 1** will listen to the Emergency Alert System (AM/FM) radio, Amateur Radio (if available) and NOAA Weather Radio and keep neighbors informed of what they learn.
- **Team 2** will check on neighbors who are elderly, those with disabilities, or children who may be home alone. If necessary take them to the Neighborhood Care Center.
- **Team 3** will check all natural gas meters and propane tanks, and shut off the gas as necessary.
- **Team 4** will check on all homes with the “Help” card displayed on the front door or window, or with no card showing. Be prepared to give first aid. Trust your instincts. If something feels unsafe, stay out.

Step 9. After your Team has completed its work, go back to the Neighborhood Gathering Site. Share what you have done with the rest of your neighbors.

- For more information go to www.volusiacoast.org